

VH

Pressure / Depression

VH
VH
가

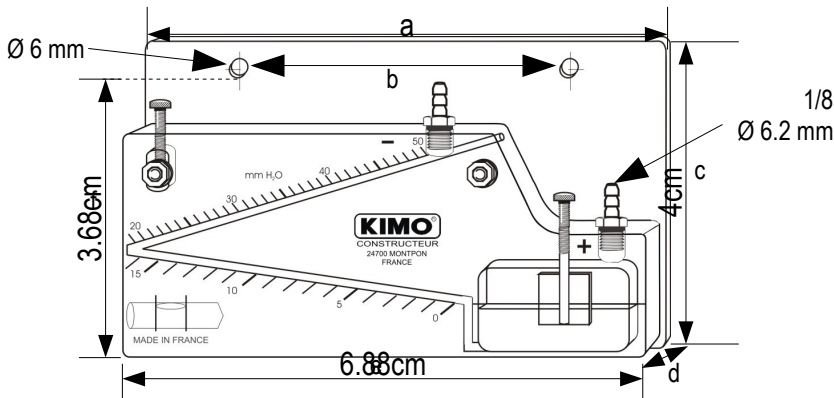


- V
-
- 가
-
-
-
- 가
- , 2 , 2 , 487 2 , PVC

	mm CE			Pascal			For 1 mm CE or 10 PA		1 st and 2 nd column
	Total	1 st column	2 nd column	Total	1 st column	2 nd column	1 st column	2 nd column	
VH 50	0 – 50	0 – 16	19 – 50	0 – 500	0 – 160	190 – 500	7 mm	3.5 mm	1 mm CE or 10 Pa

The VH 50 also exists in DaPa.

	From +5 to +30°C
가	From -30 to +60°C
	1 bar
	Transparent 15 mm thick Altuglas.
	Entirely bored in the solid block, Ø 4 mm.
	Directly silk-screened onto the rear face.
	By moving the Altuglas float and the milled, nickel-plated brass screw, travel 10 mm.
	Horizontal positioning via integrated spirit level and milled, nickel-plated brass adjusting screw, vertical travel 12 mm.
가	AWS 10 red oil, density 0.87 at 15°C.
	20 ml
	Ø 5x8 mm semi-rigid crystal tube, on Ø 6.2 mm ribbed, nickel-plated brass connectors, 1/8 gas thread.
	With or without white PVC support.



Reference	VH 50
a	188 mm
b	120 mm
c	112 mm
d	25 mm
e	182 mm
f	101 mm
	380 g

1. Ø 5
- 2.
- 3.
- 4.
5. Ø 5x8

가

.....

"0"

"+"가
 "+"가

"+"가
 "- "가

VH

1

www.kimo.fr

Distributed by :



EXPORT DEPARTMENT
 Tel : + 33. 1. 60. 06. 69. 25 - Fax : + 33. 1. 60. 06. 69. 29
 e-mail : export@kimo.fr